



# A Classic Compression Valve with Pressure Relief Capabilities

D60 Valves

PD 66377 US 2002-08

## Concept

The D60 valves are sanitary manually adjusted valves. The D60RTHPM is a spring loaded relief valve. The D60 T/Y RMP compression shut-off valves.

## Working Principle

The metal stem plug of the relief valve is held in the closed position by manually adjusted spring tension. As the pipe line pressure increases beyond the springs relief set point, the stem plug is forced open allowing pressure to be relieved through the discharge port. As the pressure lowers below the spring set point, the plug will return to the closed position.

The compression valve is operated by means of a 'tee' handle turning mechanism. This allows the valve to gradually open and close.

## Application

The D60RTHPM relief valve is used for sanitary pressure relief of a piping system or pump.

The D60 T/Y RMP is available in a right angle "L" body or a straight through flow "Y" body style shut-off valve.

## Types

### D60RTHPM

- Relief (L-Body)

### D60 T/Y RMP

- Shut Off (L-Body, Y-Body)  
- Relief (L-Body)  
- Sample

## End Connections

### D60RTHPM

- Tri-Clamp®

### D60 T/Y RMP

- Tri-Clamp®

## Product Wetted Steel Parts

### D60RTHPM

- 316L S.S.

### D60 T/Y RMP

- 316L S.S.

## Other Steel Parts

### D60RTHPM

- 304 S.S.

### D60 T/Y RMP

- 304 S.S.

## Seat Material

### D60RTHPM

- 316L S.S.

### D60 T/Y RMP

- Molded Rubber (BUNA, EPDM, SFY)  
- 316L S.S.



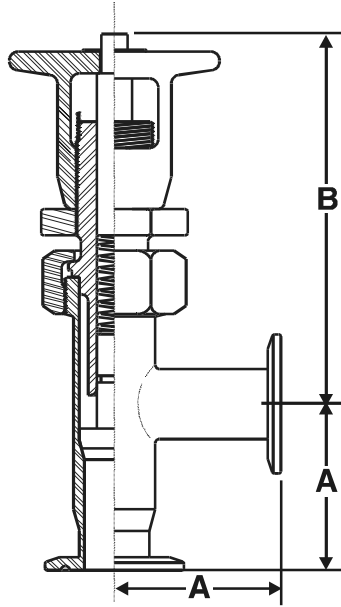
Fig. 1. D60RTHPM, D60TRMP, D60YRMP

## Technical Data

	D620RTHMP	D60 T/Y RMP
Max. Product Pressure	85 PSI	150 PSI
Min. Product Pressure	5 PSI	
Max. Temperature	180 F	200 F

**Dimensions**

**Relief Valves**



**D60RTHMP-Size, Metal Seat Only**

Size (Tube OD)		A		B				Approx. Wt.	
				Min.		Max.			
in	mm	in	mm	in	mm	in	mm	lb	kg
1	25.4	2 <sup>3</sup> / <sub>8</sub>	60.3	5 <sup>3</sup> / <sub>8</sub>	136.5	6 <sup>1</sup> / <sub>2</sub>	165.1	1.88	0.85
1 <sup>1</sup> / <sub>2</sub>	38.1	2 <sup>3</sup> / <sub>4</sub>	69.9	7 <sup>3</sup> / <sub>8</sub>	185.7	9	228.6	3.99	1.81
2	50.8	3 <sup>1</sup> / <sub>2</sub>	88.9	7 <sup>5</sup> / <sub>8</sub>	193.7	9 <sup>5</sup> / <sub>8</sub>	244.5	5.49	2.49
2 <sup>1</sup> / <sub>2</sub>	63.5	3 <sup>1</sup> / <sub>2</sub>	88.9	9 <sup>7</sup> / <sub>8</sub>	250.0	12	304.8	8.56	3.88
3	76.2	3 <sup>3</sup> / <sub>4</sub>	95.3	11 <sup>1</sup> / <sub>8</sub>	282.6	13 <sup>7</sup> / <sub>8</sub>	352.4	12.10	5.50

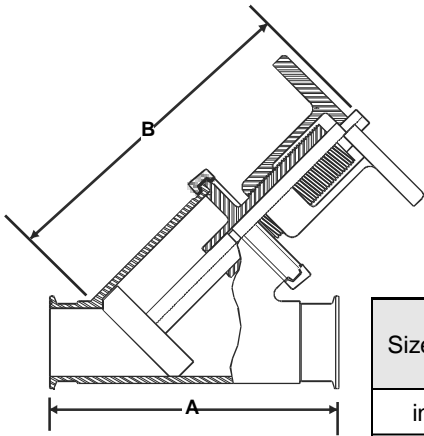
Material: 316L Stainless Steel (Hex Union Nut is 304 S.S.)

End Connection: Tri-Clamp®

**Relief Spring Options (Range given in PSI)**

Size	Std.	A	B	C	D	E
1	5-15	20-35	30-50	40-60	60-75	--
1 <sup>1</sup> / <sub>2</sub>	5-25	20-35	30-50	2-8	75-85	50-75
2	5-25	20-35	30-50	50-70	--	--
2 <sup>1</sup> / <sub>2</sub>	5-25	20-35	--	--	--	--
3	5-25	25-45	40-60	--	--	75

### Compression Valves (Y-Type)

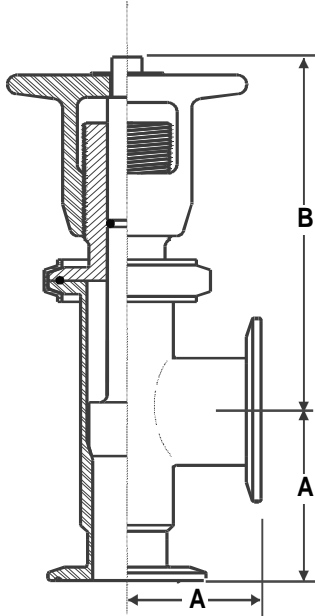


D60TRMP-Size, Molded Rubber Seat  
D60TMP-Size, Metal Seat

Size (Tube OD)		A		B				Approx. Wt.	
in	mm	in	mm	Min.		Max		in	mm
1	25.4	2 <sup>3</sup> / <sub>8</sub>	60.3	5 <sup>1</sup> / <sub>8</sub>	130.2	6 <sup>1</sup> / <sub>4</sub>	158.8	2.50	1.13
1 <sup>1</sup> / <sub>2</sub>	38.1	2 <sup>3</sup> / <sub>4</sub>	69.9	6 <sup>7</sup> / <sub>8</sub>	174.6	8 <sup>1</sup> / <sub>2</sub>	215.9	5.25	2.38
2	50.8	3 <sup>1</sup> / <sub>2</sub>	88.9	7 <sup>3</sup> / <sub>8</sub>	185.7	9 <sup>1</sup> / <sub>2</sub>	241.3	7.30	3.31
2 <sup>1</sup> / <sub>2</sub>	63.5	3 <sup>1</sup> / <sub>2</sub>	88.9	8 <sup>7</sup> / <sub>8</sub>	225.4	11 <sup>1</sup> / <sub>2</sub>	292.1	11.4	5.17
3	76.2	3 <sup>3</sup> / <sub>4</sub>	95.3	9 <sup>1</sup> / <sub>4</sub>	235	12 <sup>3</sup> / <sub>8</sub>	314.3	15.5	7.03

**Material:** 316L Stainless Steel  
**End Connection:** Tri-Clamp®

### Compression Valves (T-Type)



D60YRMP-Size, Molded Rubber Seat  
D60YMMP-Size, Metal Seat

Size (Tube OD)		A		B				Approx. Wt.	
in	mm	in	mm	Min.		Max		in	mm
1	25.4	5 <sup>3</sup> / <sub>8</sub>	136.5	5 <sup>3</sup> / <sub>4</sub>	146.1	6 <sup>3</sup> / <sub>8</sub>	161.9	2.25	1.02
1 <sup>1</sup> / <sub>2</sub>	38.1	6 <sup>3</sup> / <sub>8</sub>	161.9	8	203.2	9 <sup>5</sup> / <sub>8</sub>	244.5	6.30	2.86
2	50.8	7 <sup>7</sup> / <sub>8</sub>	200.0	8 <sup>3</sup> / <sub>4</sub>	222.3	11	279.4	9.90	4.49
2 <sup>1</sup> / <sub>2</sub>	63.5	9 <sup>1</sup> / <sub>4</sub>	235.0	10 <sup>3</sup> / <sub>8</sub>	263.5	13 <sup>1</sup> / <sub>2</sub>	342.9	18.0	8.16
3	76.2	10 <sup>3</sup> / <sub>8</sub>	263.5	12 <sup>1</sup> / <sub>2</sub>	317.5	16 <sup>3</sup> / <sub>8</sub>	415.9	26.1	11.8

**Material:** 316L Stainless Steel  
**End Connection:** Tri-Clamp®

**Options*****D60RTHPM***

- Pressure range springs (relief spring chart on page 2)
- BUNA (std.)
- SFY

***D60 T/Y RMP***

- L or Y body configuration
- 316 stainless steel or rubber bonded plug
- BUNA (std.)
- SFY Elastomers

**Ordering**

Please state the following when ordering:

***D60RTHPM***

- Valve size
- Relief spring rating
- Elastomers

***D60 T/Y RMP***

- Body style
- Size
- Metal or bonded plug
- Elastomers