

# 970 Stainless Steel Bonnet



Resistant to standard washdown procedures and autoclave sterilization, the 970 is a compact and rugged stainless steel manual bonnet well suited for the Biopharmaceutical and chemical processing industries.

**Type:** 970

**Size Range:** ½"-2" (DN15-DN50)

**Max Service Pressure:**

½ – 1": 200 psig (13.8 bar)

1½ – 2": 175 psig (12.1 bar)

**Max Service Temperature:**

See reverse side for  
Pressure/Temperature curve

**Bonnet Material:**

316 Stainless Steel

**Handwheel Material:**

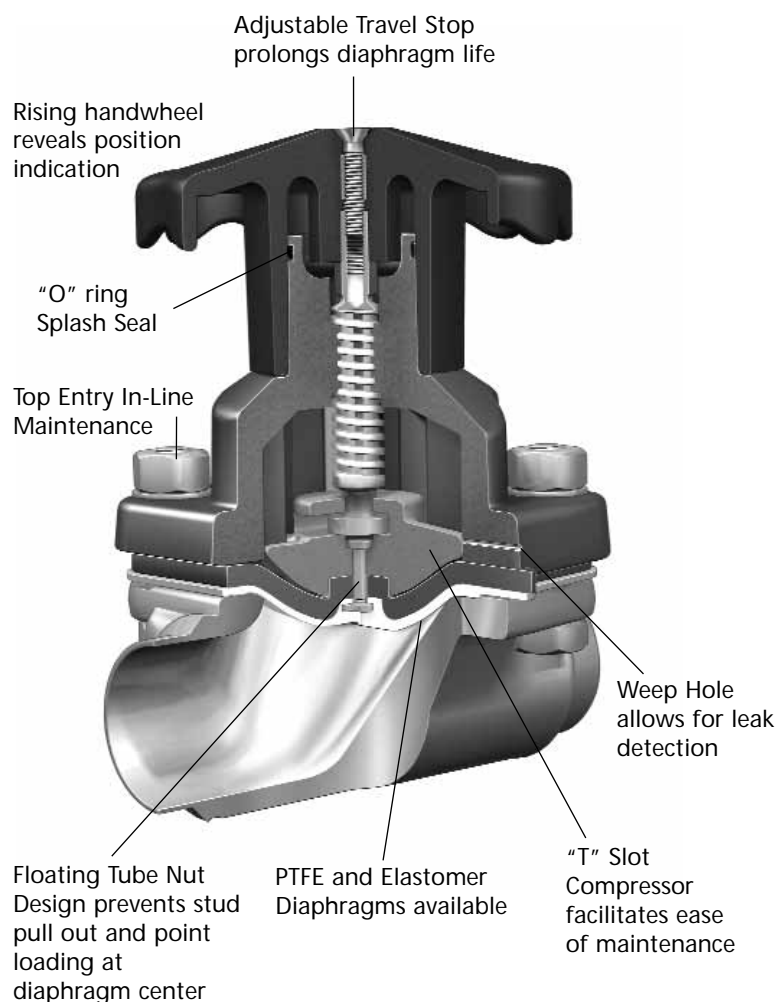
FDA compliant polyarylsulfane (PAS)

**Corrosion Resistance:**

Resists alcohol, chloride and most caustic washdowns. For specific chemical resistance, consult factory.

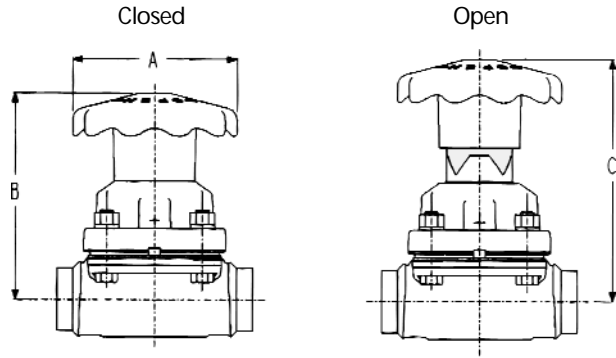
**Standard Features:**

- Adjustable travel stop\*
- Visual position indicator
- "O" ring splash seal
- Stainless steel stem
- Bronze compressor
- Sanitary internals (stainless steel stem, bronze compressor)
- Easy assembly and disassembly



\* Patent # 6,241,213

# Dimensions



The following table gives the Topworks weight, handwheel diameter and assembly heights from body centerline to top of bonnet assembly in open and closed position.

Valve Size		A		B		C		Topworks Weight	
Inch	DN	Inch	mm	Inch	mm	Inch	mm	lb	kg
0.50	15	2.75	69.9	3.65	92.7	3.90	99.1	0.97	0.44
0.75	20	2.75	69.9	3.89	98.8	4.27	108.5	1.23	0.56
1.00	25	2.75	69.9	4.54	115.3	5.04	128.0	1.67	0.76
1.50	40	5.25	133.3	5.86	148.8	6.67	169.4	5.00	2.27
2.00	50	5.25	133.3	6.49	164.8	7.61	193.3	6.50	2.95

For more information, please contact one of our valve office locations:

Pure-Flo Headquarters  
 33 Centerville Road, P.O. Box 6164  
 Lancaster, PA 17603-2064 USA  
 Phone: +1 (800) 366-1111  
 Phone: +1 (717) 509-2200  
 Fax: +1 (717) 509-2336  
 Website: [www.ittpureflo.com](http://www.ittpureflo.com)  
 E-mail: [pureflo.custserv@itt.com](mailto:pureflo.custserv@itt.com)

Pure-Flo  
 110-B West Cochran  
 Simi Valley, CA 93065  
 Phone: +1 (800) 926-8884  
 Phone: +1 (805) 520-7200  
 Fax: +1 (805) 520-7205

Pure-Flo  
 Richards Street  
 Kirkham, Lancashire  
 PR4 2HU, England  
 Phone: +44-1772-682696  
 Fax: +44-1772-686006

© 2006 ITT Corporation  
 Industrial & BioPharm Group

8H.POD

# Pressure/Temperature Recommendations

