



ITT

Pure-Flo®

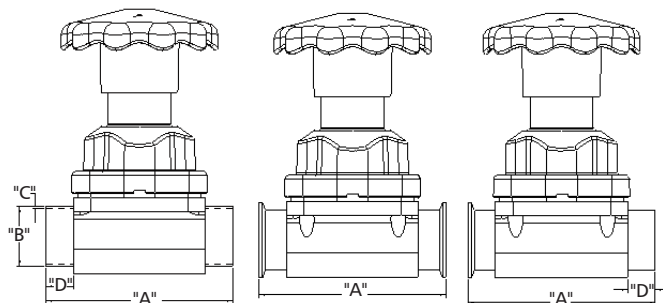
## Investment Cast Stainless Steel Bodies

The Pure-Flo investment cast valve body range (1/2" - 4") is the economical solution for a wide range of high purity applications including pharmaceutical and bioprocessing.

Pure-Flo castings are produced with tightly controlled processes and only the highest

quality ASME BPE compliant materials. Stringent process and quality control assure the highest quality finished component.

Material of Construction: 316L Stainless Steel per ASTM A351-Grade CF3M



**Body Dimensions - USOD (ANSI) Castings**

B		A	D	C
End Connection Size		Overall Length	Weld Tangent	Wall Thickness
IN	DN		Short Tangent BW, TC x BW	
0.50"	DN15	3.5" (89)	0.5" (13)	16 GA. 0.065"
0.75"	DN20	4" (102)	0.5" (13)	16 GA. 0.065"
1.00"	DN25	4.5" (114)	0.5" (13)	16 GA. 0.065"
1.50"	DN40	5.5" (140)	0.5" (13)	16 GA. 0.065"
2.00"	DN50	6.25" (159)	0.5" (13)	16 GA. 0.065"
2.50"	DN65	7.62" (194)	0.5" (13)	16 GA. 0.065"
3.00"	DN80	8.75" (222)	0.62" (16)	16 GA. 0.065"
4.00"	DN100	11.5" (292)	0.62" (16)	14 GA. 0.083"

\* 2.5" size uses 3" topworks

*Engineered for life*

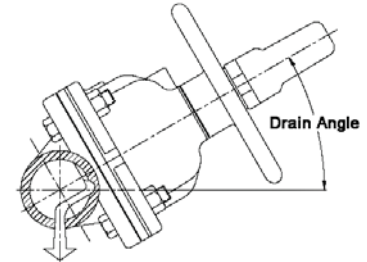
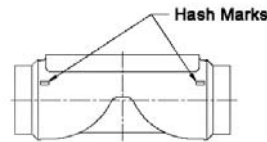
www.ittpureflo.com



# ITT

# Pure-Flo®

Valve Size		Drain Angle
Inch	DN	ANSI
0.50	15	28°
0.75	20	27°
1.00	25	25°
1.50	40	24°
2.00	50	21°
2.50	65	19°
3.00	80	25°
4.00	100	20°



Note: As a rule of thumb drain angle tolerances of +/- 2° will assure optimal drainability. Consult Pure-Flo product engineering for specific drain angle tolerances.

## Surface Finish Options

Mechanical Polish Surface Finish (Interior Only)		
Code	Non-EU Service Microinch Max	EU Service Micron Max
0	No Mechanical Polish	No Mechanical Polish
2	35 Ra	0.8 Ra
6	25 Ra	0.6 Ra
8	20 Ra	0.5 Ra

Electropolish Surface Finish (Interior & Exterior)	
Code	
0	No Electropolish
2	Exterior Electropolish only
3	Both Interior and Exterior Electropolish
4	Interior Electropolish only

Surface Finishes per ASME BPE	
Code	Mechanical Polished Surface Finish (Interior Only)
	Micronch MAX
SFV1	20 Ra
SFV2	25 Ra
SFV3	30 Ra
	Mechanical Polished & Electropolished Surface Finish (Interior Only)
	Micronch MAX
SFV5	20 Ra
SFV6	25 Ra

For more information, please contact:

Pure-Flo  
Richards Street  
Kirkham, Lancashire  
PR4 2HU, England  
Phone: +44-1772-682696  
Fax: +44-1772-686006

Website: [www.ittpureflo.com](http://www.ittpureflo.com)  
E-mail: [pureflo.custserv@itt.com](mailto:pureflo.custserv@itt.com)

China:  
ITT Fluid Technology  
Floor 30th - Tower A, City Center of Shanghai,  
No. 100 Zunyi Road  
Shanghai, 200051 China  
Marco Shi  
+86-21-2208 2803

India:  
ITT Corporation India Pvt Ltd  
2nd Floor, Prama House,  
21, Cama Industrial Estate,  
Walbhat Road, Goregaon (E)  
Mumbai - 400 063  
Shashi Shankar Naik  
+ 91 22 67843 020

© 2008 ITT Corporation  
Industrial Process

PFCAST-08

*Engineered for life*