

# Value Switch Package (VSP)



ITT Pure-Flo has developed the new Value Switch Package (VSP). The VSP is engineered to fulfill the fundamental needs of the Pharmaceutical and Bioprocessing industries.




The VSP is a switch package engineered with cost effectiveness, simplicity and flexibility in mind. The VSP maintains a small dimensional envelope for process piping installations where space is at a premium. The VSP is offered with a complete range of mechanical switches and proximity sensors to meet your electrical and control system specifications.

The VSP is a perfect compliment to both the Advantage® and Advantage® Piston Actuator lines of pneumatic actuation.

**Switch Package VSP**

Order Code	Switch Type	Switch Contact/ Output	Amperage	Voltage
VSPS48	Mechanical	Silver SPDT	6A	48 VAC/DC
VSPG30	Mechanical	Gold SPDT	100 mA	30VAC/DC
VSPZ	Proximity	2 Wire "Z"	200 mA	36 VDC
VSPN	Proximity	2 Wire Namur	1 mA	30 VDC
VSPPP	Proximity	3 Wire PNP	200 mA	36 VDC

## ATEX CERTIFICATION

Order Code	Switch Certification	Assembly Certification
VSPS48	Simple Apparatus	 II 2 G T6 Ta: +25 to +60°C
VSPG30		
VSPN	 II 1 G EEEx ia IIB T6 Ta: -20 to +60°C  II 2 G EEEx ia IIC T6 Ta: -20 to +70°C	Must be used with an approved barrier.

VSPG30 and VSPN (with barrier) are suitable for hazardous and explosive applications. VSPN uses Intrinsically Safe sensor technology. VSPS48 is not recommended for low current applications.

## Size Range

1/4"-2" (DN 6-50)

## Max External Temperature

140°F (60°C)

## Housing Material

Housing: Polyamide, FDA compliant  
Cover: Polysulfone, FDA compliant

## Switch Selection

- Mechanical
- Proximity

## Conduit Ports

One M20 conduit port, located radially at any position, 360° (1/2"-NPT adapter available).

## Product Ratings

### Enclosure:

NEMA 4X, IP66

### Class I, Div 1, Groups A-G:

VSPN with amplifier

### Class I, Div 2, Group A-G:

VSPZ

VSPS

### Intrinsic Safety (FM and cCSAus, ATEX approved):

VSPN with barrier/amplifier

### Switch Certifications

**VSPN:** CE, cCSAus, FM, ATEX

**VSPS Sensor:** CE, cULus

**VSPZ:** CE, cULus

**VSPS48, VSPG30:** cULus

**Terminal Strip:** CE, cULus

**Wire Gauge:** 12 Gauge max. input

**Note: VSP is not autoclavable**

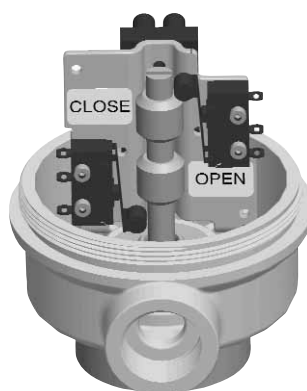
For more information, please contact one of our valve office locations:

Pure-Flo Headquarters  
33 Centerville Road, P.O. Box 6164  
Lancaster, PA 17603-2064 USA  
Phone: +1 (800) 787-3561  
Phone: +1 (717) 509-2200  
Fax: +1 (800) 239-9402  
Website: [www.ittpureflo.com](http://www.ittpureflo.com)  
E-mail: [pureflo.custserv@itt.com](mailto:pureflo.custserv@itt.com)

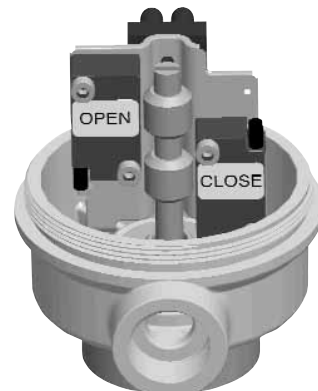
Pure-Flo  
110-B West Cochran  
Simi Valley, CA 93065  
Phone: +1 (800) 926-8884  
Phone: +1 (805) 520-7200  
Fax: +1 (805) 520-7205

Pure-Flo  
Richards Street  
Kirkham, Lancashire  
PR4 2HU, England  
Phone: +44-1772-682696  
Fax: +44-1772-686006

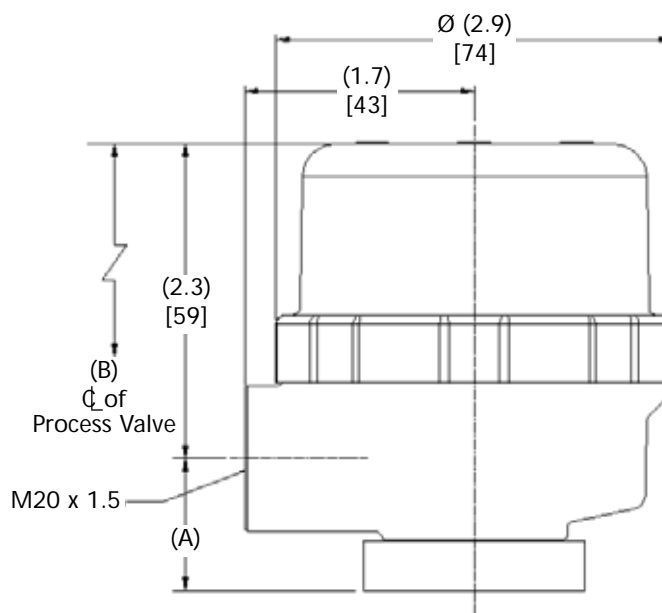
© ITT Corporation  
Industrial & BioPharm Group



Mechanical



Proximity



Valve Size	A		B			
			APA Actuator		Advantage Actuator	
	in	mm	in	mm	in	mm
BT	1.00	25.4	5.00	127.0	5.04	128.0
0.5	1.00	25.4	5.50	139.8	5.52	140.2
0.75	1.00	25.4	6.34	161.0	6.59	167.4
1	1.00	25.4	6.90	175.2	6.99	177.5
1.5	1.50	38.1	11.03	280.1	11.18	284.0
2	1.50	38.1	11.57	293.9	11.68	296.7



**ITT**