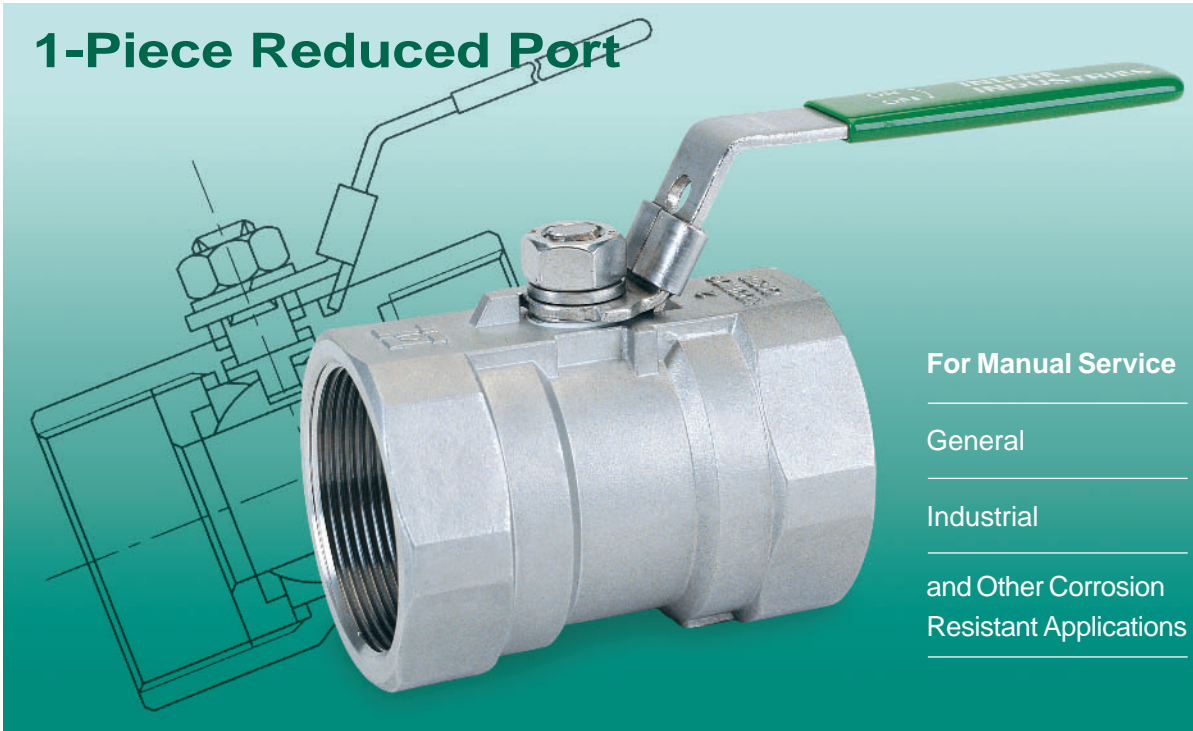


# 101R Ball Valve

## 1-Piece Reduced Port



For Manual Service

General

Industrial

and Other Corrosion  
Resistant Applications

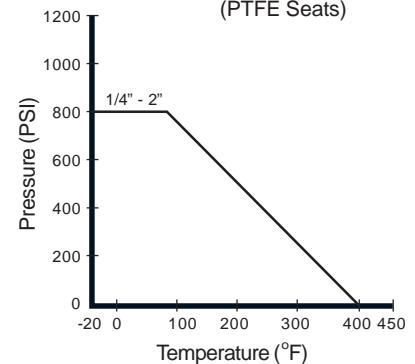
## Standard Features and Benefits

- 1 **Economical 1-Piece Design**
- 1 **Locking Device**  
Enables plant personnel to secure valve in open or closed position when manually operated
- 1 **Blow-Out-Proof Stem**  
Stem is bottom loaded to prevent removal during operation
- 1 **Corrosion Resistant**  
Made of 316 stainless steel (A351 Gr. CF8M) for superior chemical resistance and longer service life
- 1 **Investment Cast**  
Improves dimensional control and reduces porosity

## Options

- 1 Reverse handle

101R Pressure / Temperature Chart  
(PTFE Seats)



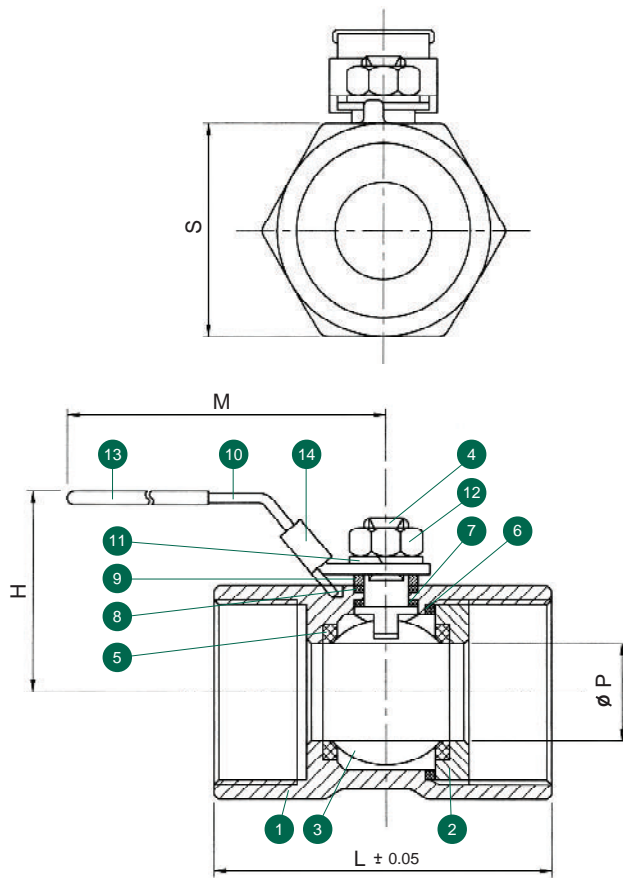
## Operating Conditions

- Temperature range (PTFE):  
-20°F ~ 400°F
- Maximum pressure (PTFE):  
800 PSI CWP

## Specifications

- All valves shell and seat tested to  
ANSI/ASME B16.34 and API 598





Valve Components			
#	Part Name	Material	Qty.
1	Body	A351 Gr. CF8M	1
2	Insert	316SS	1
3	Ball	316SS	1
4	Stem	316SS	1
5	Seat	PTFE	2
6	Body Seal	PTFE	1
7	Thrust Washer	RTFE (15% C.F.)	1
8	Stem Packing Set	PTFE	1
9	Packing Gland	304SS	1
10	Handle	304SS	1
11	Lock Washer	304SS	1
12	Handle Nut	304SS	1
13	Handle Cover	Vinyl	1
14	Locking Device	304SS	1

Dimensions (Inches)						
Size	L	P	M	H	S	Weight (lbs)
1/4	1.54	0.20	2.91	1.22	0.67	0.13
3/8	1.75	0.28	2.91	1.42	0.83	0.22
1/2	2.20	0.36	3.74	1.61	0.99	0.27
3/4	2.32	0.50	3.74	1.73	1.22	0.47
1	2.75	0.59	4.33	1.89	1.50	0.86
1 1/4	3.08	0.79	4.33	2.13	1.90	1.37
1 1/2	3.20	0.96	5.32	2.56	2.09	1.79
2	3.90	1.25	5.32	2.83	2.67	3.13

## 101R Ordering Information

Example: 2" Reduced Port Ball Valve with Lever Handle with Locking Device, 316SS Body and Trim, PTFE Seats and PTFE Seals, NPT Ends

Valve Series	Valve Size	Body Material	End Material	Ball Material	Stem Material	Seat	Seal	End Connection	Port	Ball Config.
101R - Reduced Port	2 3 5 7 A B C D	6 - A351 Gr. CF8M (316)	6 - A351 Gr. CF8M (316)	6 - A351 Gr. CF8M (316)	6 - A351 Gr. CF8M (316)	T - PTFE	T - PTFE	T - NPT	2 - 2 Way	S - Straight Port

Due to continuous product development, information may change without notice.



**INLINE INDUSTRIES, INC.**

4701-A Littlejohn Street  
 Baldwin Park, CA 91706  
 Tel: (626) 813-6188  
 Fax: (626) 813-6186  
 www.ballvalve.com  
 info@ballvalve.com

Distributed by: