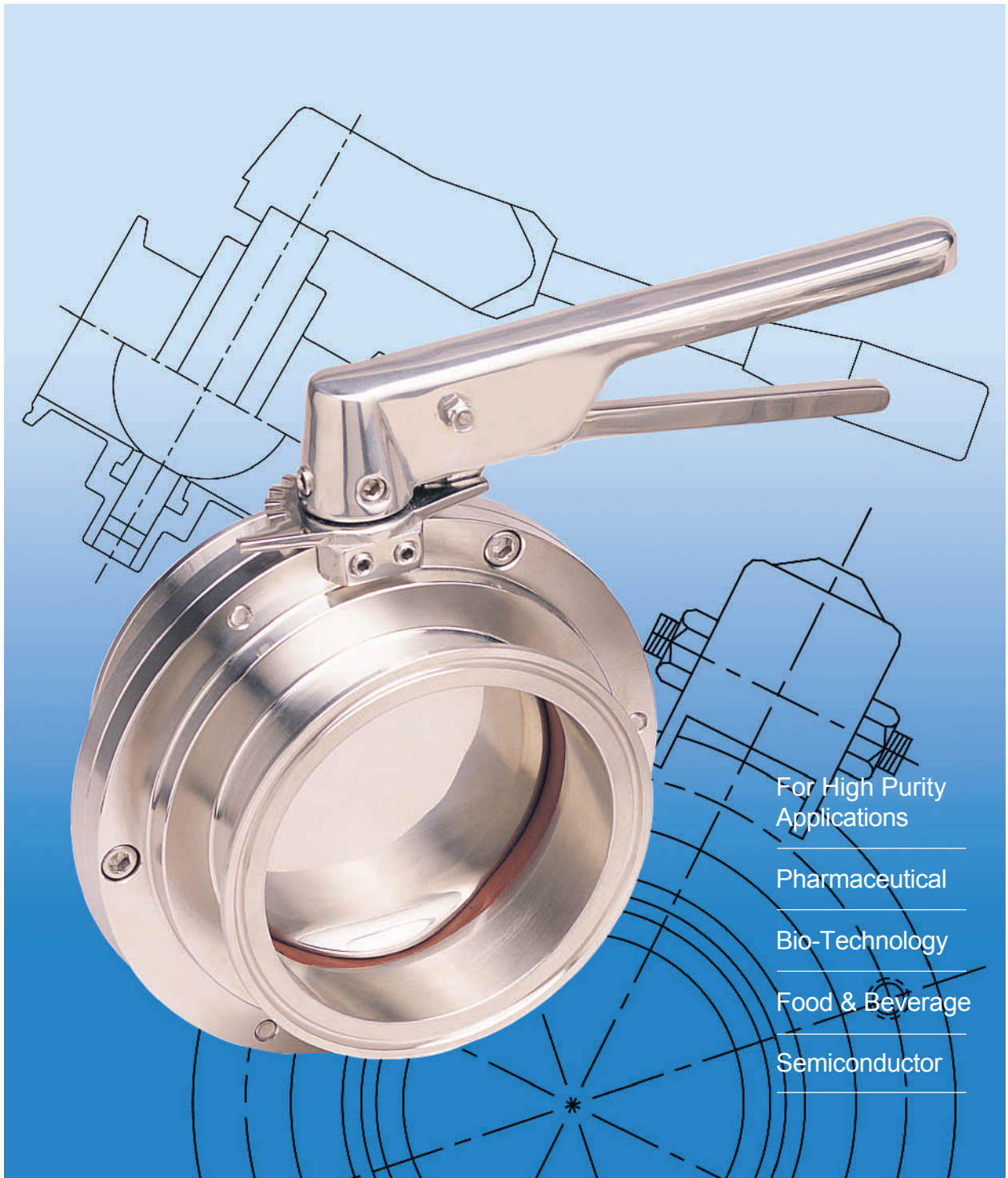


707/717 Sanitary Butterfly Valve



The 707F/717F Series Sanitary Butterfly Valve

The 707/717 series butterfly valve incorporates several improved design features to enhance your process performance. The valve's uniform bore diameter improves flow and eliminates pooling of potential contaminants. The wider seating area reduces seat wear and seat pull-out problems. Various options are available to meet your application requirements.

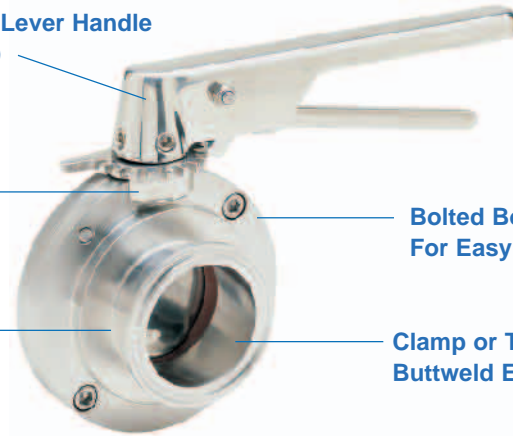
10-Position Locking Lever Handle
(optional on the 707)

Automation Available
(717F only)

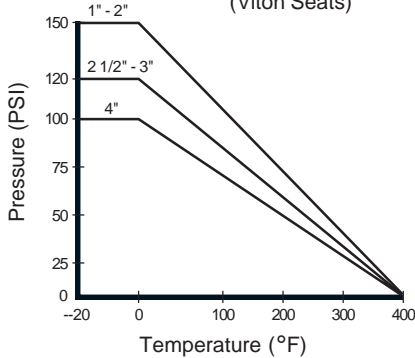
Various Seat Options

Bolted Body
For Easy Maintenance

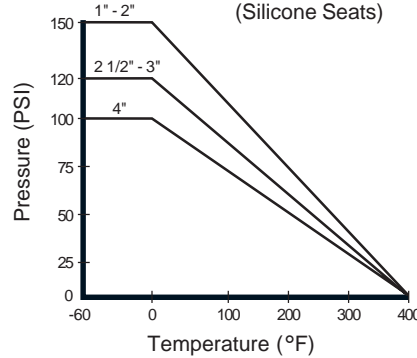
Clamp or Tube
Butt Weld Ends



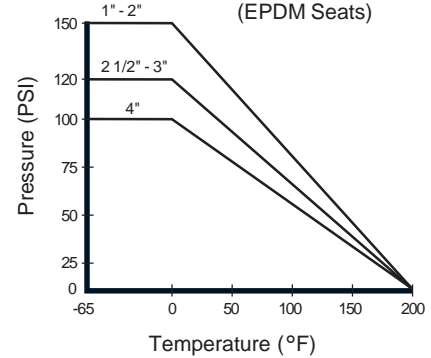
707/717 Pressure / Temperature Chart
(Viton Seats)



707/717 Pressure / Temperature Chart
(Silicone Seats)



707/717 Pressure / Temperature Chart
(EPDM Seats)



Standard Features and Benefits

- 1 Leak-Proof Bubble-Tight Shut-Off
- 1 Easy-to-Use, Polished, Two-Position 360° Turn Handle (707F)
- 1 Ten-Position, 180° Turn Lever Handle (717F)
- 1 Uniform Bore Diameter Improves Flow Characteristics and Eliminates Pooling of Potential Contaminants
- 1 Light Weight for Less Stress on Tube Lines
- 1 All Wetted Materials Approved for Use in Food and Beverage Processing
- 1 Blow-Out-Proof Stem
- 1 25 Ra ID Finish

Options

- 1 Multi-Position Handle
- 1 Vertically Mounted 55 Food Grade Pneumatic Actuation
- 1 Tube Clamp End and Tube Butt Weld End Connections
- 1 Food Grade EPDM or Viton Seat
- 1 Horizontal Rack and Pinion Actuator Available (717F)

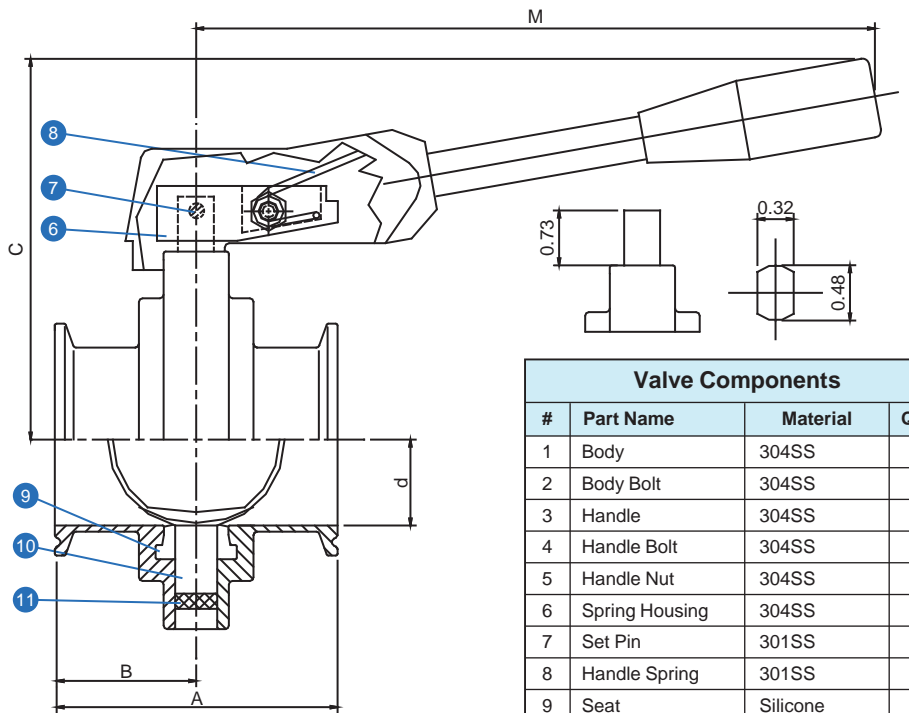
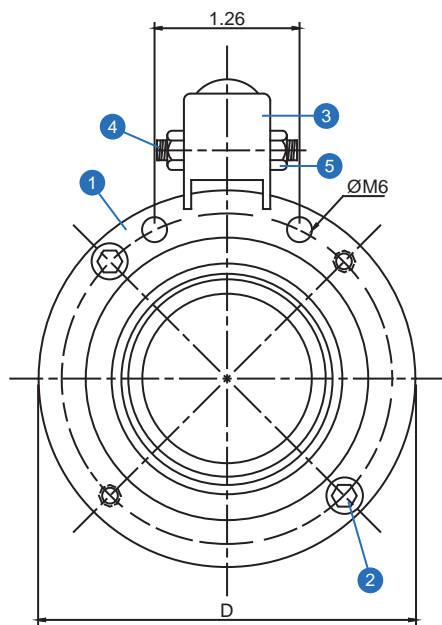
Operating Conditions

- 1 Temperature Range :
 - 20°F - 400°F (Viton Seat)
 - 60°F - 400°F (Silicone Seat)
 - 65°F - 200°F (EPDM Seat)
- 1 Maximum Pressure (All Seats):
 - 150 PSI (1" - 2"), 120 PSI (2 1/2" - 3"), 100 PSI (4")

Specifications

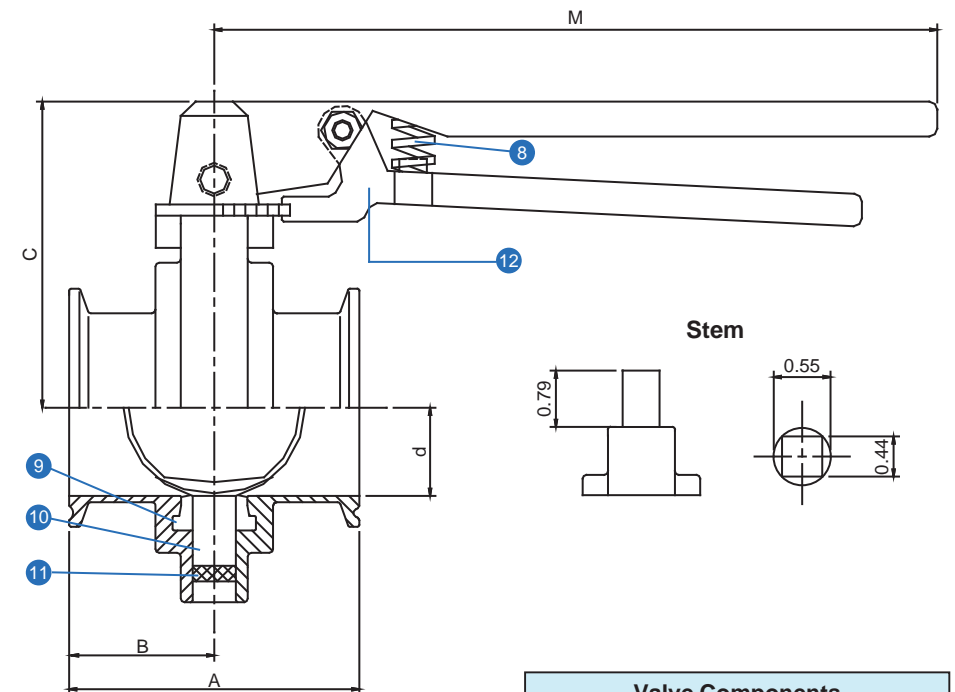
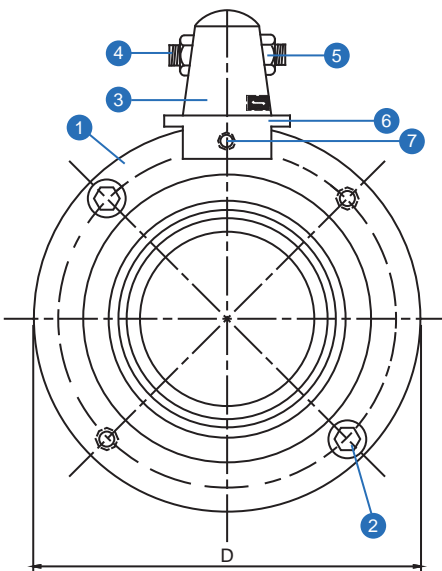
- 1 Valves inspected and tested to API 598 and meet ANSI/FCI70-2 Class VI and MSS SP-61 leakage requirements
- 1 All materials comply with applicable ASTM material specifications and FDA material requirements
- 1 Material test reports available upon request

707F



Valve Components			
#	Part Name	Material	Qty.
1	Body	304SS	2
2	Body Bolt	304SS	4
3	Handle	304SS	1
4	Handle Bolt	304SS	1
5	Handle Nut	304SS	2
6	Spring Housing	304SS	1
7	Set Pin	301SS	2
8	Handle Spring	301SS	1
9	Seat	Silicone	1
10	Stem Disc	304SS	1
11	Stem Seal	Silicone	1

717F



Valve Components			
#	Part Name	Material	Qty.
1	Body	316SS	2
2	Body Bolt	304SS	4
3	Handle	304SS	1
4	Handle Bolt	304SS	1
5	Handle Nut	304SS	2
6	Key Pad	304SS	1
7	Socket Set Screw	301SS	2
8	Handle Spring	301SS	1
9	Seat	Silicone	1
10	Stem Disc	CD4MCU	1
11	Stem Seal	Silicone	1
12	Handle Lever	304SS	1

Dimensions (Inches)

Size	A	B	C	D	d	M		Torque in/lbs	Weight (lbs) Clamp End	
						707F	717F		707F	717F
1	2.75	1.38	3.75	3.11	0.87	6.00	6.70	58	2.75	3.00
1 1/2	2.91	1.46	3.92	3.45	1.37	6.00	6.70	60	3.00	3.25
2	3.07	1.54	4.26	4.12	1.87	6.00	6.70	144	3.65	3.90
2 1/2	8.77	1.54	4.26	4.12	2.37	6.00	6.70	170	6.00	6.00
3	3.07	1.54	4.66	4.90	2.86	6.00	6.70	320	4.80	5.05
4	3.46	1.73	5.50	6.17	3.80	7.50	6.70	480	7.50	7.75



Oxygen Cleaning & Electropolishing



Sanitary Products



Automation Systems

707F/717F Ordering Information

Example: 2" Full Port Sanitary Butterfly Valve, 316SS Body, CD4MCU Stem disk, Silicone Seats and Seals, 25 Ra Max Mechanically Polished

Valve Series	Valve Size	Body Material	Stem Material	Seat	Seal	End Connection	Surface Finish
707F / 717F - Full Port	A 1" C 1 1/2" D 2" E 2 1/2" F 3" G 4"	6 - A351 Gr. CF8M (316)* 4 - A351 Gr. CF3 (304)	C - CD4MCU* 4 - A351 Gr. CF3 (304)	L - Silicone V - Viton E - Food Grade EPDM	L - Silicone	C - Clamp O - Butt Weld I - I-Line (316L)	None &OPT-SFV1 - 20 Ra Max. Mech. Polish &OPT-SFV2 - 25 Ra Max. Mech. Polish &OPT-SFV4 - 15 Ra Max. Electropolish &OPT-SFV5 - 20 Ra Max. Electropolish &OPT-SFV6 - 25 Ra Max. Electropolish

* 717 Only

Due to continuous product development, information may change without notice.

Distributed by:



INLINE INDUSTRIES, INC.

4701-A Littlejohn Street
Baldwin Park, CA 91706
Tel: (626) 813-6188
Fax: (626) 813-6186
www.ballvalve.com
info@ballvalve.com