



INLINE

BALLVALVE.COM

PRODUCTS > 904 Series Y-Strainer: 1/2" - 2"



[Product Description](#)

[Schematic Diagram](#)

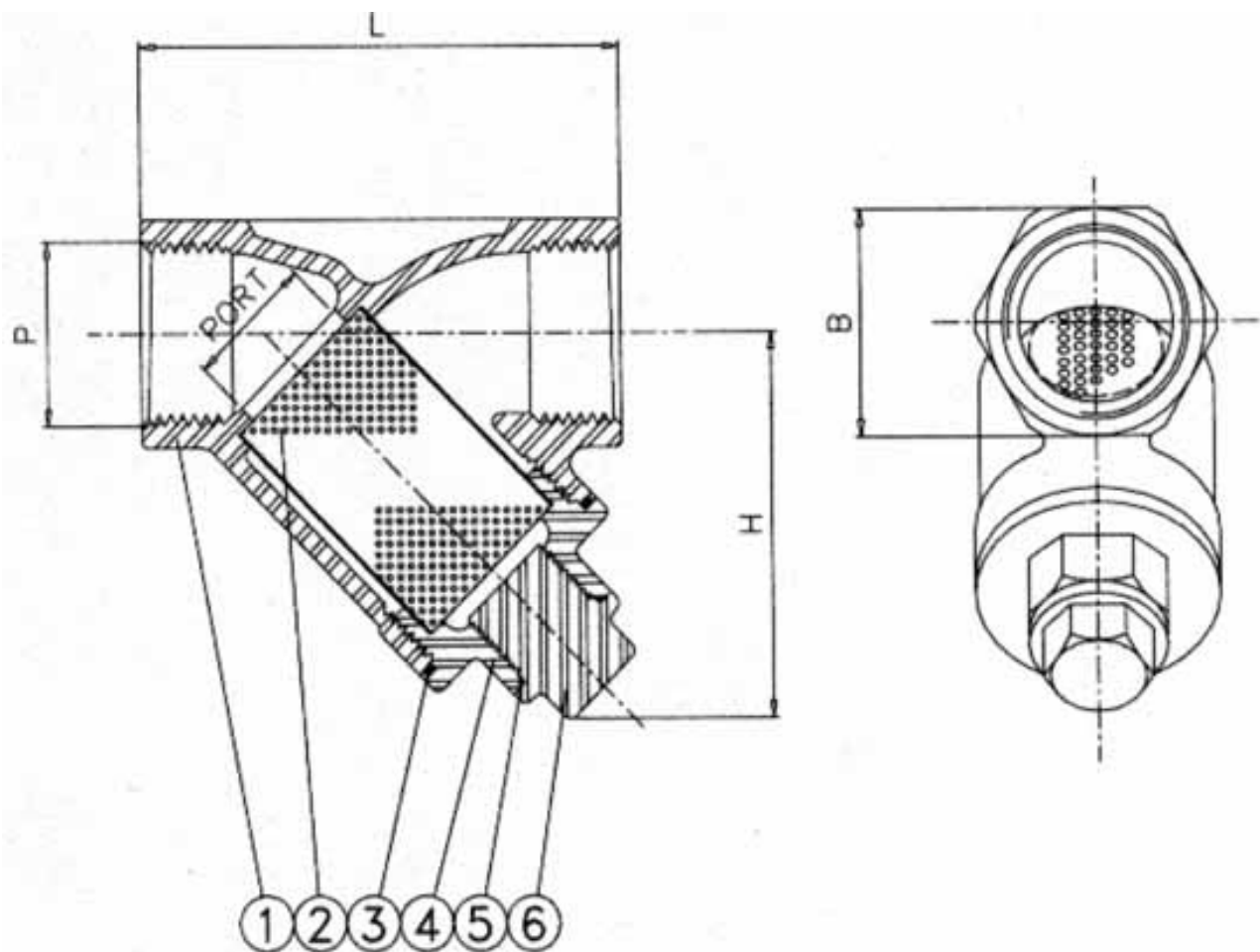
[Materials and Measurements](#)

Product Description

Standard Features:

- Investment Casting
- Y-Type
- S.S. 316 Screen
- Screwed-In Cap
- Thread Connection: ANSI B2.1, BS21, DIN
- Maximum Working Pressure: 600 PSI

Schematic Diagram



Materials & Measurements

Materials List

Item	Part Name	Standard Materials	Qty
1	Body	ASTM A-351 GR. CF8M	1
2	Screen	SS316 12 MESH	1
3	Gasket	TEFLON	1
4	Bonnet	ASTM A-351 GR. CF8M	1
5	O-Ring	TEFLON	1
6	Blow Off	ASTM A-351 GR. CF8M	1

DIMENSIONS (Inches)

Size	Port	B	H	L	P
1/2"	0.59	1.02	2.01	2.56	1/2" BSP or NPT
3/4"	0.79	1.30	2.36	3.15	3/4" BSP or NPT
1"	0.98	1.61	2.83	3.54	1" BSP or NPT
1 1/4"	1.26	1.93	3.03	4.13	1 1/4" BSP or NPT

1 1/2"	1.57	2.20	3.43	4.72	1 1/2" BSP or NPT
2"	1.97	2.72	4.06	5.51	2" BSP or NPT

Due to continuous product development, information may change without notice.