



# INLINE

BALLVALVE.COM

**PRODUCTS** > 905 Series Gate Valve: 1/2" - 2"



[Product Description](#)

[Schematic Diagram](#)

[Materials and Measurements](#)

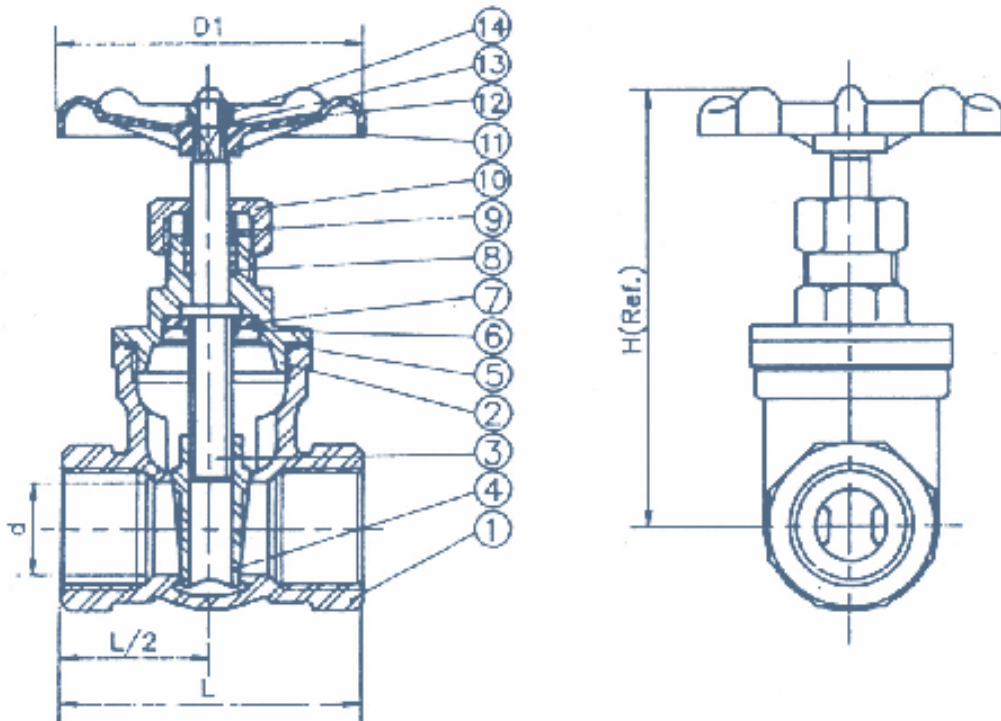


## Product Description

### Standard Features:

- Investment Casting
- Screwed-In Bonnet
- Non-Rising Stem
- Solid Wedge Disc
- Hand Wheel Operation
- Thread Connection: ANSI B2.1, BS21, DIN
- Maximum Working Pressure: 200 PSI

## Schematic Diagram



## Materials & Measurements

### Materials List

Item	Part Name	Standard Materials	Qty
1	Body	ASTM A-351 GR. CF8M	1
2	Disk	ASTM A-351 GR. CF8M	1
3	Stem	SS316	1
4	Bonnet	ASTM A-351 GR. CF8M	1
5	Gasket Packing	TEFLON	1
6	Stop Ring	SS304	1
7	Stem Holder	SS316	1
8	Stem Packing	TEFLON	1 set
9	Gland	SS304	1
10	Gland Nut	SS316	1
11	Handwheel	MICO STEEL	1
12	Name Plate	ALUMINUM	1
13	Handwheel Washer	SS304	1
14	Handwheel Nut	SS304	1

### DIMENSIONS (Inches)

Size	d	H	L	D1	T
------	---	---	---	----	---

1/2"	0.63	3.54	2.17	2.76	1/2" NPT or PF
3/4"	0.79	3.82	2.36	2.76	3/4" NPT or PF
1"	0.98	4.25	2.56	3.15	1" NPT or PF
1 1/4"	1.26	4.72	2.95	3.15	1 1/4" NPT or PF
1 1/2"	1.57	5.75	3.35	3.94	1 1/2" NPT or PF
2"	2.01	6.42	3.74	4.53	2" NPT or PF

Due to continuous product development, information may change without notice.

---