



PRODUCTS > 906 Series Swing Check Valve: 1/2" - 2"



[Product Description](#)

[Schematic Diagram](#)

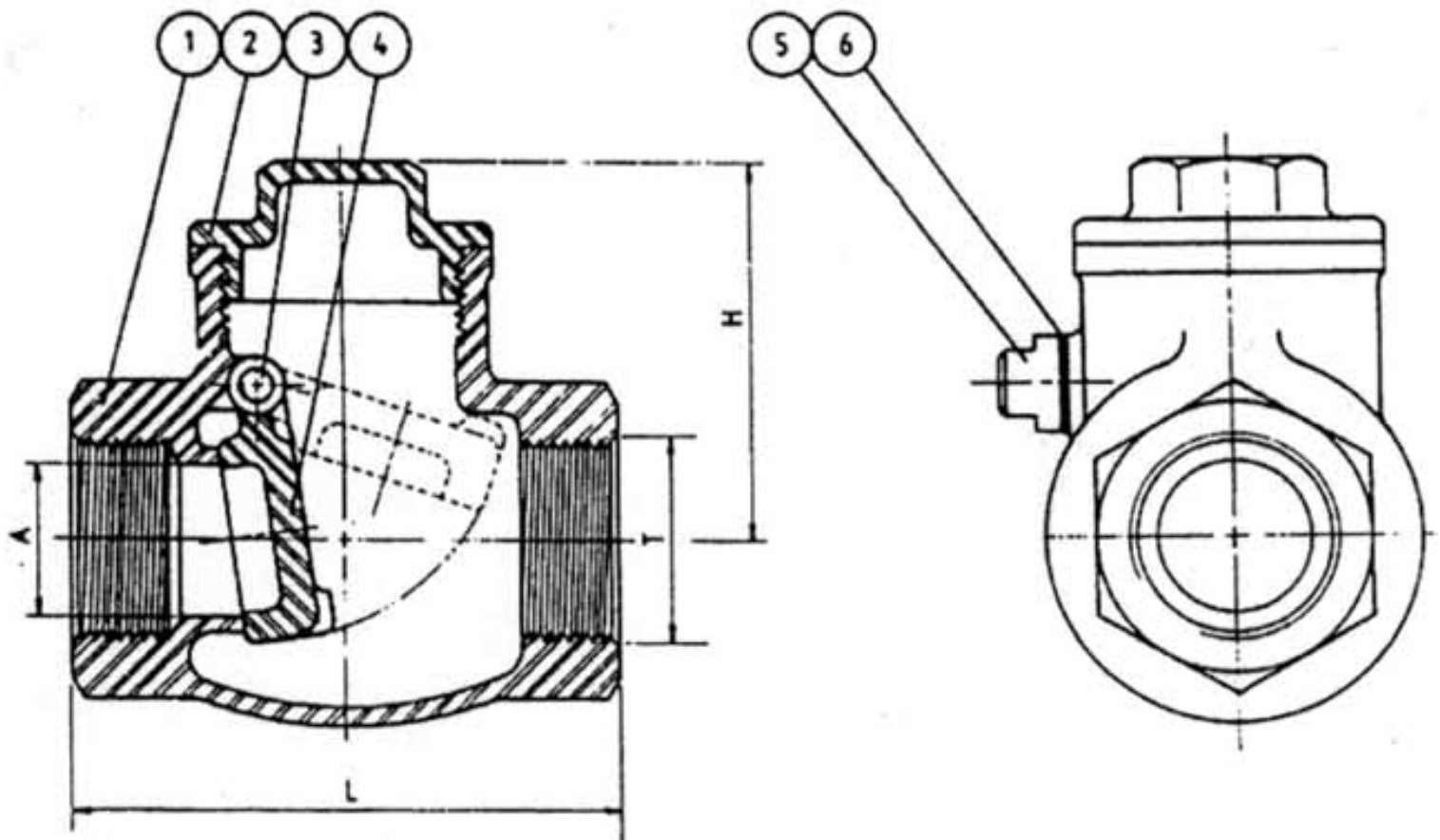
[Materials and Measurements](#)

Product Description

Standard Features:

- Sand Casting
- Screwed-In Cap
- Stainless Steel Disk
- Thread Connection: ANSI B2.1, BS21, DIN
- Maximum Working Pressure: 200 PSI

Schematic Diagram



Materials & Measurements

Materials List

Item	Part Name	Standard Materials	Qty
1	Body	ASTM A-351 GR. CF8M	1
2	Cover	ASTM A-351 GR. CF8M	1
3	Hanger Pin	SS316	1
4	Disc	ASTM A-351 GR. CF8M	1
5	Plug	SS316	1
6	Plug Gasket	TEFLON	1

DIMENSIONS (Inches)

Size	A	H	L	T
1/2"	0.59	1.77	2.56	1/2" NPT or PF
3/4"	0.79	2.20	3.15	3/4" NPT or PF
1"	0.98	2.44	3.54	1" NPT or PF
1 1/4"	1.26	2.83	4.13	1 1/4" NPT or PF
1 1/2"	1.57	2.87	4.72	1 1/2" NPT or PF

2"	1.97	3.23	5.51	2" NPT or PF
----	------	------	------	--------------

Due to continuous product development, information may change without notice.
