



PRODUCTS > 907 Series Globe Valve: 1/2" - 2"



[Product Description](#)

[Schematic Diagram](#)

[Materials and Measurements](#)

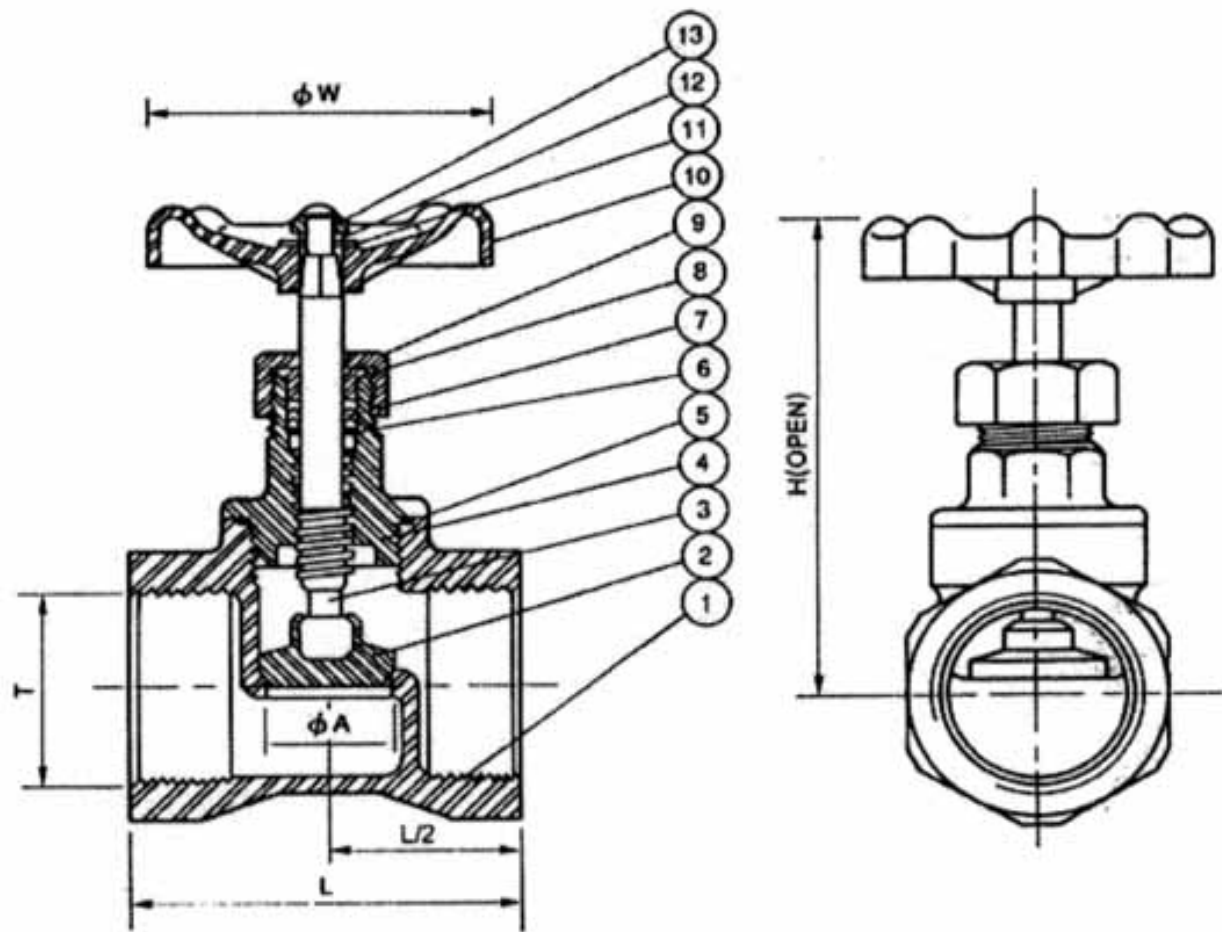


## Product Description

### Standard Features:

- Investment Casting
- Screwed-In Bonnet
- Non-Rising Stem
- Hand Wheel Operation
- Thread Connection: ANSI B2.1, BS21, DIN
- Maximum Working Pressure: 200 PSI

## Schematic Diagram



## Materials & Measurements

### Materials List

Item	Part Name	Standard Materials	Qty
1	Body	ASTM A-351 GR. CF8M	1
2	Disk	SS316	1
3	Stem	SS316	1
4	Bonnet	ASTM A-351 GR. CF8M	1
5	Gasket Packing	TEFLON	1
6	Stop ring	SS304	1
7	Stem Packing	TEFLON	1
8	Gland	SS304	1
9	Gland Nut	SS316	1
10	Handwheel	MICO STEEL	1
11	Name Plate	ALUMINUM	1
12	Handwheel Washer	SS304	1
13	Handwheel Nut	SS304	1

**DIMENSIONS (Inches)**

<b>Size</b>	<b>A</b>	<b>H</b>	<b>L</b>	<b>W</b>	<b>T</b>
1/2"	0.47	3.11	2.05	2.36	1/2" NPT or PF
3/4"	0.59	3.62	2.36	2.76	3/4" NPT or PF
1"	0.79	3.86	2.83	2.76	1" NPT or PF
1 1/4"	0.98	4.76	3.15	2.76	1 1/4" NPT or PF
1 1/2"	1.26	5.51	3.58	3.15	1 1/2" NPT or PF
2"	1.57	6.22	3.98	3.94	2" NPT or PF

Due to continuous product development, information may change without notice.

---