

# Sanitary Diaphragm Valve

Manually operated

## Description

The types 601 and 602 are extremely compact valves with many features which make them ideal for pharmaceutical and bio-processing applications.

## Standard Features

- Compact design
- Ultem® 1000 handwheel, standard with type 601
- Stainless steel handwheel, standard with type 602
- Stainless steel bonnet with sanitary internals
- Internal adjustable travel stop (U.S. Pat. 5 377 956)
- Adjustable minimum flow regulator
- Autoclavable
- Visual position indicator
- FDA compliant diaphragms
- Body material 316L stainless steel
- Triclamp®, O.D. Tubing, ISO, and DIN end connections
- Sizes 1/4", 3/8", 1/2"

## Available Options

### Special connections

Hose barb, tube extensions, Swagelok®, Cajon VCR®, Ingold®, and others available upon request.

### Fabrications

Cluster valve assemblies for both horizontal and vertical orientations, Zero Static T-valves, Duplex, Multiported, Bottle Sampling, Tank Bottom/Side Sampling, and custom fabrications upon request.

### Materials

AL-6XN®, Hastelloy®, Titanium®, and others available upon request.

## Typical Applications

- Pharmaceutical manufacturing
- Bioprocessing
- Cosmetic
- Brewery Service
- Food and Beverage
- Semiconductor
- High Purity Chemicals



### Type 601



### Type 602

# Type 601/602 Technical Data

Size (In.)	Nominal bore (mm)	Operating pressure (psi)	C <sub>v</sub> -value (gpm)		Body configuration D = straight through	Weight (lbs)	
			ISO Connection	O.D. Tubing		601	602
-	4	0 - 150		-	D	.35	.49
-	6	0 - 150		-	D	.35	.49
1/4	8	0 - 150		0.7	D	.35	.49
3/8	10	0 - 150		1.5	D	.35	.49
1/2	15	0 - 150		2.3	D	.35	.49

Max. perm. temperature of the operating medium: 302° F (150°C)  
(Depending on diaphragm material)

The valve is completely sealed in both flow directions up to full operating pressure.

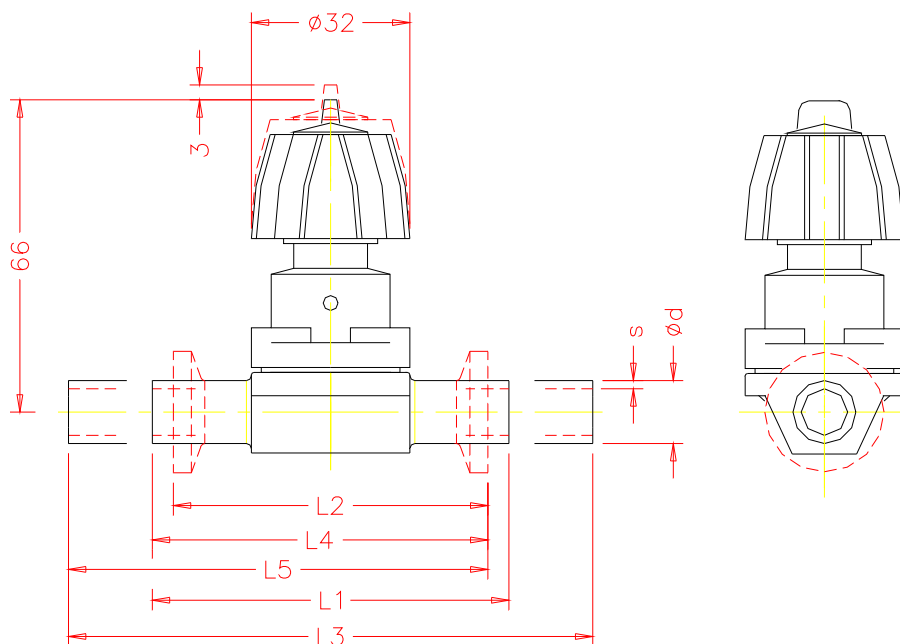
All pressure values are specified in psig.

Body Configuration	Ref.no.	Diaphragm material	Ref.no.																																																																						
Tank bottom valve body	B	Ethylene-propylene Rubber for saturated steam max 302° F	EPDM 3A																																																																						
2-way valve body	D																																																																								
2-way angled valve body	E																																																																								
Multiported valve body	M																																																																								
Zero Static T-Valve	T	2nd generation, modified PTFE with Ethylene-propylene backing	TFM/EPDM 5A																																																																						
U-bend	U																																																																								
		Ethylene-propylene Rubber for saturated steam max 302° F	EPDM 6A																																																																						
Connection	Ref.no.	<i>All diaphragms listed conform to the FDA code of Federal Regulations paragraph 177.2600 of section 21.</i>																																																																							
DIN	0																																																																								
DIN 11850/Series 1	16																																																																								
DIN 11850/Series 2	17																																																																								
DIN 11850/Series 3	18																																																																								
Butt weld OD tubing	59																																																																								
Sizes 1/4-3/8" 20 gauge .035" wall																																																																									
Sizes 1/2-3" 16 gauge .065" wall																																																																									
Sizes 4" 14 gauge .083" wall																																																																									
Tri-clamp®	80			<b>Control function</b>	<b>Ref.no.</b>																																																																				
O.D. Tubing by Triclamp®	93	Manually operated	0																																																																						
Extended O.D. Tubing	94																																																																								
Extended O.D. Tubing by Triclamp®	95																																																																								
Body material	Ref.no.	<b>Surface finish</b>																																																																							
<b>Investment cast body</b>																																																																									
Stainless steel 316 L $\geq$ 1.4435 (BN2) Fe < 0.5%	32	<table border="1"> <thead> <tr> <th colspan="2">μ-in.</th> <th>BPE Surface Designation</th> <th colspan="2">Ra Average [Note (1)]</th> <th colspan="2">Ra Max</th> <th rowspan="2">Ref.no.</th> </tr> <tr> <th>μ-in.</th> <th>μm</th> <th>μ-in.</th> <th>μm</th> <th>μ-in.</th> <th>μm</th> </tr> </thead> <tbody> <tr> <td>32</td> <td>Mechanical</td> <td>SFV3</td> <td>25</td> <td>0.625</td> <td>30</td> <td>0.750</td> <td>3</td> </tr> <tr> <td>25</td> <td>Mechanical</td> <td>SFV6</td> <td>20</td> <td>0.500</td> <td>25</td> <td>0.625</td> <td>1502</td> </tr> <tr> <td>20</td> <td>E-pol</td> <td>SFV2</td> <td>20</td> <td>0.500</td> <td>25</td> <td>0.625</td> <td>1508</td> </tr> <tr> <td>20</td> <td>Mechanical</td> <td>SFV5</td> <td>15</td> <td>0.375</td> <td>20</td> <td>0.500</td> <td>1507</td> </tr> <tr> <td>15</td> <td>E-pol</td> <td>SFV1</td> <td>15</td> <td>0.375</td> <td>20</td> <td>0.500</td> <td>1537</td> </tr> <tr> <td>11</td> <td>Mechanical</td> <td>SFV4</td> <td>10</td> <td>0.250</td> <td>15</td> <td>0.375</td> <td>1536</td> </tr> <tr> <td>10</td> <td>E-pol</td> <td></td> <td></td> <td></td> <td></td> <td></td> <td>1516</td> </tr> </tbody> </table> <p>GENERAL NOTE: All Ra readings are taken across the grain. NOTE: (1) The average Ra is derived from two readings taken at different locations.</p>		μ-in.		BPE Surface Designation	Ra Average [Note (1)]		Ra Max		Ref.no.	μ-in.	μm	μ-in.	μm	μ-in.	μm	32	Mechanical	SFV3	25	0.625	30	0.750	3	25	Mechanical	SFV6	20	0.500	25	0.625	1502	20	E-pol	SFV2	20	0.500	25	0.625	1508	20	Mechanical	SFV5	15	0.375	20	0.500	1507	15	E-pol	SFV1	15	0.375	20	0.500	1537	11	Mechanical	SFV4	10	0.250	15	0.375	1536	10	E-pol						1516
μ-in.				BPE Surface Designation	Ra Average [Note (1)]		Ra Max		Ref.no.																																																																
μ-in.	μm			μ-in.	μm	μ-in.	μm																																																																		
32	Mechanical			SFV3	25	0.625	30	0.750	3																																																																
25	Mechanical			SFV6	20	0.500	25	0.625	1502																																																																
20	E-pol			SFV2	20	0.500	25	0.625	1508																																																																
20	Mechanical			SFV5	15	0.375	20	0.500	1507																																																																
15	E-pol			SFV1	15	0.375	20	0.500	1537																																																																
11	Mechanical			SFV4	10	0.250	15	0.375	1536																																																																
10	E-pol								1516																																																																
Stainless steel 1.4539 (UNS N 08904)	33																																																																								
<b>Forged Body</b>		<b>Special Versions</b>																																																																							
Stainless steel 316 L $\geq$ 1.4435 (ASTM A 182)	40	Special versions	UXXXX																																																																						
Stainless steel 316 L $\geq$ 1.4435 (BN2) Fe < 0.5%	42																																																																								
<b>Machined block</b>																																																																									
Stainless steel 316 L $\geq$ 1.4435 (ASTM A 479)	41																																																																								
<b>Special versions</b>																																																																									
(Consult factory for special material reference numbers)	91																																																																								

Order Example	-601	015	U	80	41	3A	0			040	94	1537		
Type of valve	-601													
Size DN		015												
Body configuration			U											
Connection (valve body)				80										
Body material					41									
Diaphragm material						3A								
Control function							0							
Actuator size														
Locking device														
Pipe main size										040				
Pipe main connection											94			
Surface finish												1537		
Special version (XXXX)														



# Type 601/602 Dimensional Data



### Take Out Dimension For Standard Connections

Size	DN	Units	Con. Ref. No.		(59)	(80)	(94)	(93)	(95)
			Ød	s	L1	L2	L3	L4	L5
1/4	8	mm	6.35	0.89	72.00	63.50	148.20	67.75	105.85
		in	0.250	0.035	2.835	2.500	5.835	2.667	4.167
3/8	10	mm	9.53	0.89	72.00	63.50	148.20	67.75	105.85
		in	0.375	0.035	2.835	2.500	5.835	2.667	4.167
1/2	15	mm	12.70	1.65	72.00	63.50	148.20	67.75	105.85
		in	0.500	0.065	2.835	2.500	5.835	2.667	4.167

- L1 = Connection Code 59 = Standard butt-weld
- L2 = Connection Code 80 = Standard clamp
- L3 = Connection Code 94 = Standard butt-weld extension (AWF)
- L4 = Connection Code 93 = Standard clamp X butt-weld
- L5 = Connection Code 95 = Standard clamp X butt-weld extension (AWF)

### Optional Spigot Dimensions

Size	DN	L <sub>1</sub>	DIN (0)		DIN Series 1 (16)		DIN Series 2 (17)		DIN Series 3 (18)		ISO (60)		O.D. Tubing (59)	
			s	ø d	ø d	s	ø d	s	ø d	s	ø d	s	ø d	s
-	4	72	1	6	-	-	-	-	-	-	-	-	-	-
-	6	72	1	8	-	-	-	-	-	-	-	-	-	-
1/4"	8	72	1	10	-	-	-	-	-	-	13.5	1.6	.250	.035
3/8"	10	72	-	-	12	1	13	1.5	14	2	-	-	.375	.035
1/2"	15	72	-	-	-	-	-	-	-	-	-	-	.500	.065

### Drain Angles

Size	DN	Degrees
1/4"	8	55°
3/8"	10	60°
1/2"	15	65°

Drain angles are for BS O.D. Tubing only.

# Type 601/602 Dimensional Data

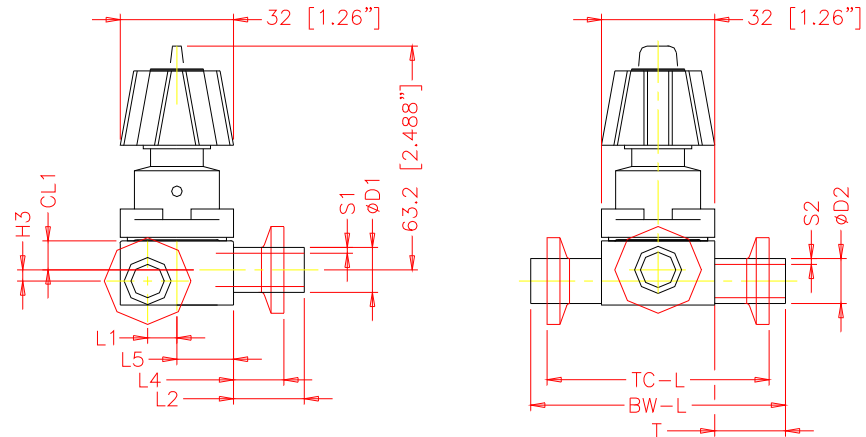
## GEMÜ® Zero Static T-Valve

### Standard Features

- Sterile design
- Mechanical parts isolated from process
- Zero dead-leg with no bacteria entrapment
- Maximum drainage, leaving virtually no residue
- Body machined from 316L stainless steel solid bar stock or specified material
- Compact design
- Minimum tube length of 1.5" for automatic orbital welding

### Typical Applications

- WFI point-of-use
- DI systems
- SIP (steam-in-place)
- CIP (clean-in-place)
- Sampling
- Product transfer
- Draining
- Diverting applications of critical process fluids



D1 x D2	Units	D1	s1	D2	s2	H3	L1	Code 59			Code 94			Code 80		
								L2	T	BW-L	L2	T	BW-L	L4	L5	TC-L
1/4 x 1/4	mm	6.35	1.2	6.35	1.2	-0.02	5.4	20.0	20.0	72.0	38.1	38.1	108.2	19.7	16.0	71.4
	in	0.250	0.047	0.250	0.047	0.0	0.2	0.8	0.8	2.8	1.5	1.5	4.26	0.8	0.6	2.8
1/4 x 1/2	mm	6.35	1.2	12.7	1.65	3.15	8.2	20.0	20.0	72.0	38.1	38.1	108.2	19.7	16.0	71.4
	in	0.250	0.047	0.500	0.065	0.1	0.3	0.8	0.8	2.8	1.5	1.5	4.26	0.8	0.6	2.8
1/4 x 3/4	mm	6.35	1.2	19.05	1.65	6.33	11.7	20.0	25.0	82.0	38.1	38.1	108.2	19.7	16.0	71.4
	in	0.250	0.047	0.750	0.065	0.2	0.5	0.8	1.0	3.2	1.5	1.5	4.26	0.8	0.6	2.8
1/4 x 1	mm	6.35	1.2	25.4	1.65	9.5	15.3	20.0	25.0	82.0	38.1	38.1	108.2	19.7	16.0	71.4
	in	0.250	0.047	1.000	0.065	0.4	0.6	0.8	1.0	3.2	1.5	1.5	4.26	0.8	0.6	2.8
1/4 x 1 1/2	mm	6.35	1.2	38.1	1.65	15.85	22.3	20.0	25.0	82.0	38.1	38.1	108.2	19.7	16.0	71.4
	in	0.250	0.047	1.500	0.065	0.6	0.9	0.8	1.0	3.2	1.5	1.5	4.26	0.8	0.6	2.8
1/4 x 2	mm	6.35	1.2	50.8	1.65	22.2	29.4	20.0	30.0	92.0	38.1	44.5	120.9	19.7	16.0	71.4
	in	0.250	0.047	2.000	0.065	0.9	1.2	0.8	1.2	3.6	1.5	1.8	4.76	0.8	0.6	2.8
1/4 x 2 1/2	mm	6.35	1.2	63.5	1.65	28.55	36.4	20.0	30.0	92.0	38.1	44.5	120.9	19.7	16.0	71.4
	in	0.250	0.047	2.500	0.065	1.1	1.4	0.8	1.2	3.6	1.5	1.8	4.76	0.8	0.6	2.8
3/8 x 1/2	mm	9.525	1.2	12.7	1.65	3.15	8.2	20.0	20.0	72.0	38.1	38.1	108.2	19.7	16.0	71.4
	in	0.375	0.047	0.500	0.065	0.1	0.3	0.8	0.8	2.8	1.5	1.5	4.26	0.8	0.6	2.8
3/8 x 3/4	mm	9.525	1.2	19.05	1.65	6.33	11.7	20.0	25.0	82.0	38.1	38.1	108.2	19.7	16.0	71.4
	in	0.375	0.047	0.750	0.065	0.2	0.5	0.8	1.0	3.2	1.5	1.5	4.26	0.8	0.6	2.8
3/8 x 1	mm	9.525	1.2	25.4	1.65	9.5	15.3	20.0	25.0	82.0	38.1	38.1	108.2	19.7	16.0	71.4
	in	0.375	0.047	1.000	0.065	0.4	0.6	0.8	1.0	3.2	1.5	1.5	4.26	0.8	0.6	2.8
3/8 x 1 1/2	mm	9.525	1.2	38.1	1.65	15.85	22.3	20.0	25.0	82.0	38.1	38.1	108.2	19.7	16.0	71.4
	in	0.375	0.047	1.500	0.065	0.6	0.9	0.8	1.0	3.2	1.5	1.5	4.26	0.8	0.6	2.8
3/8 x 2	mm	9.525	1.2	50.8	1.65	22.2	29.4	20.0	30.0	92.0	38.1	44.5	120.9	19.7	16.0	71.4
	in	0.375	0.047	2.000	0.065	0.9	1.2	0.8	1.2	3.6	1.5	1.8	4.76	0.8	0.6	2.8
1/2 x 1/2	mm	12.7	1.65	12.7	1.65	3.15	8.2	20.0	20.0	72.0	38.1	38.1	108.2	19.7	16.0	71.4
	in	0.500	0.065	0.500	0.065	0.1	0.3	0.8	0.8	2.8	1.5	1.5	4.26	0.8	0.6	2.8
1/2 x 3/4	mm	12.7	1.65	19.05	1.65	6.33	11.7	20.0	25.0	82.0	38.1	38.1	108.2	19.7	16.0	71.4
	in	0.500	0.065	0.750	0.065	0.2	0.5	0.8	1.0	3.2	1.5	1.5	4.26	0.8	0.6	2.8
1/2 x 1	mm	12.7	1.65	25.4	1.65	9.5	15.3	20.0	25.0	82.0	38.1	38.1	108.2	19.7	16.0	71.4
	in	0.500	0.065	1.000	0.065	0.4	0.6	0.8	1.0	3.2	1.5	1.5	4.26	0.8	0.6	2.8
1/2 x 1 1/2	mm	12.7	1.65	38.1	1.65	15.85	22.3	20.0	25.0	82.0	38.1	38.1	108.2	19.7	16.0	71.4
	in	0.500	0.065	1.500	0.065	0.6	0.9	0.8	1.0	3.2	1.5	1.5	4.26	0.8	0.6	2.8
1/2 x 2	mm	12.7	1.65	50.8	1.65	22.2	29.4	20.0	30.0	92.0	38.1	44.5	120.9	19.7	16.0	71.4
	in	0.500	0.065	2.000	0.065	0.9	1.2	0.8	1.2	3.6	1.5	1.8	4.76	0.8	0.6	2.8

TOL ±1mm Note: Dimension subject to change

Order Example	Size DN	1/4	3/8	1/2	3/4	1	1 1/2	2	2 1/2	3	4
		8	10	15	20	25	40	50	65	80	100
Order Example	-601	015	T	80	41	3A	0				
Type of valve	-601										
Size DN		015									
Body configuration			T								
Connection (valve body)				80							
Body material					41						
Diaphragm material						3A					
Control function							0				
Actuator size											
Locking device											
Pipe main size							040				
Pipe main connection								94			
Surface finish									1537		
Special version (XXXX)											



# Type 601/602 Dimensional Data

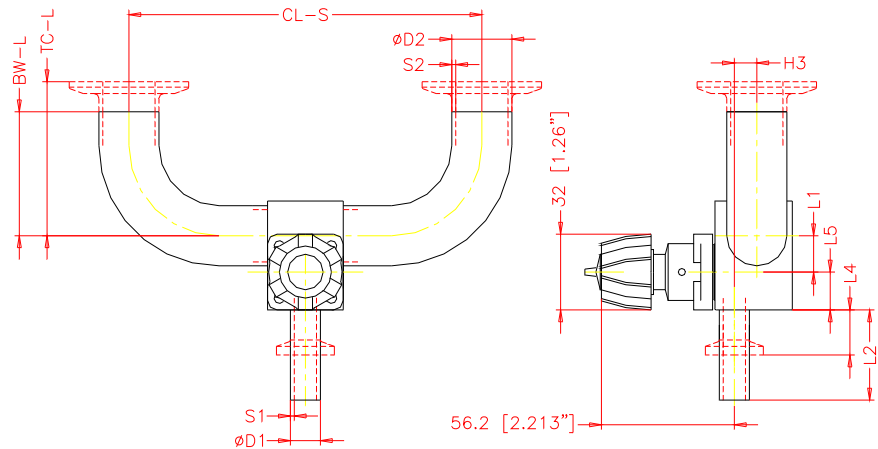
## GEMÜ® Zero Static U-Bend Valve

### Standard Features

- Sterile design
- Mechanical parts isolated from process
- Zero dead-leg with no bacteria entrapment
- Maximum drainage, leaving virtually no residue
- Body machined from 316L stainless steel solid bar stock or specified material
- Compact design
- Minimum tube length for automatic orbital welding

### Typical Applications

- WFI point-of-use
- DI systems
- SIP (steam-in-place)
- CIP (clean-in-place)
- Sampling
- Product transfer
- Draining
- Diverting applications of critical process



D1 x D2	Units	D1	s1	D2	s2	H3	L1	Code 59		Code 94		CL	Code 94		Code 80	
								L2	L2	L4	L5		BW-L	TC-L		
1/4 x 1/4	mm	6.35	1.2	6.35	1.2	-0.02	5.4	20.0	38.1	19.7	16.0	198.4	76.2	41.3		
	in	0.250	0.047	0.250	0.047	0.0	0.2	0.8	1.5	0.8	0.6	7.8	3.0	1.6		
1/4 x 1/2	mm	6.35	1.2	12.7	1.65	3.15	8.2	20.0	38.1	19.7	16.0	198.4	76.2	41.3		
	in	0.250	0.047	0.500	0.065	0.1	0.3	0.8	1.5	0.8	0.6	7.8	3.0	1.6		
1/4 x 3/4	mm	6.35	1.2	19.05	1.65	6.33	11.7	20.0	38.1	19.7	16.0	198.4	76.2	41.3		
	in	0.250	0.047	0.750	0.065	0.2	0.5	0.8	1.5	0.8	0.6	7.8	3.0	1.6		
1/4 x 1	mm	6.35	1.2	25.4	1.65	9.5	15.3	20.0	38.1	19.7	16.0	198.4	76.2	50.8		
	in	0.250	0.047	1.000	0.065	0.4	0.6	0.8	1.5	0.8	0.6	7.8	3.0	2.0		
1/4 x 1 1/2	mm	6.35	1.2	38.1	1.65	15.85	22.3	20.0	38.1	19.7	16.0	236.5	95.3	69.9		
	in	0.250	0.047	1.500	0.065	0.6	0.9	0.8	1.5	0.8	0.6	9.3	3.8	2.8		
1/4 x 2	mm	6.35	1.2	50.8	1.65	22.2	29.4	20.0	38.1	19.7	16.0	287.3	120.7	88.9		
	in	0.250	0.047	2.000	0.065	0.9	1.2	0.8	1.5	0.8	0.6	11.3	4.8	3.5		
1/4 x 2 1/2	mm	6.35	1.2	63.5	1.65	28.55	36.4	20.0	38.1	19.7	16.0	325.4	139.7	108.0		
	in	0.250	0.047	2.500	0.065	1.1	1.4	0.8	1.5	0.8	0.6	12.8	5.5	4.3		
3/8 x 1/2	mm	9.525	1.2	12.7	1.65	3.15	8.2	20.0	38.1	19.7	16.0	198.4	76.2	41.3		
	in	0.375	0.047	0.500	0.065	0.1	0.3	0.8	1.5	0.8	0.6	7.8	3.0	1.6		
3/8 x 3/4	mm	9.525	1.2	19.05	1.65	6.33	11.7	20.0	38.1	19.7	16.0	198.4	76.2	41.3		
	in	0.375	0.047	0.750	0.065	0.2	0.5	0.8	1.5	0.8	0.6	7.8	3.0	1.6		
3/8 x 1	mm	9.525	1.2	25.4	1.65	9.5	15.3	20.0	38.1	19.7	16.0	198.4	76.2	50.8		
	in	0.375	0.047	1.000	0.065	0.4	0.6	0.8	1.5	0.8	0.6	7.8	3.0	2.0		
3/8 x 1 1/2	mm	9.525	1.2	38.1	1.65	15.85	22.3	20.0	38.1	19.7	16.0	236.5	95.3	69.9		
	in	0.375	0.047	1.500	0.065	0.6	0.9	0.8	1.5	0.8	0.6	9.3	3.8	2.8		
3/8 x 2	mm	9.525	1.2	50.8	1.65	22.2	29.4	20.0	38.1	19.7	16.0	287.3	120.7	88.9		
	in	0.375	0.047	2.000	0.065	0.9	1.2	0.8	1.5	0.8	0.6	11.3	4.8	3.5		
1/2 x 1/2	mm	12.7	1.65	12.7	1.65	3.15	8.2	20.0	38.1	19.7	16.0	198.4	76.2	41.3		
	in	0.500	0.065	0.500	0.065	0.1	0.3	0.8	1.5	0.8	0.6	7.8	3.0	1.6		
1/2 x 3/4	mm	12.7	1.65	19.05	1.65	6.33	11.7	20.0	38.1	19.7	16.0	198.4	76.2	41.3		
	in	0.500	0.065	0.750	0.065	0.2	0.5	0.8	1.5	0.8	0.6	7.8	3.0	1.6		
1/2 x 1	mm	12.7	1.65	25.4	1.65	9.5	15.3	20.0	38.1	19.7	16.0	198.4	76.2	50.8		
	in	0.500	0.065	1.000	0.065	0.4	0.6	0.8	1.5	0.8	0.6	7.8	3.0	2.0		
1/2 x 1 1/2	mm	12.7	1.65	38.1	1.65	15.85	22.3	20.0	38.1	19.7	16.0	236.5	95.3	69.9		
	in	0.500	0.065	1.500	0.065	0.6	0.9	0.8	1.5	0.8	0.6	9.3	3.8	2.8		
1/2 x 2	mm	12.7	1.65	50.8	1.65	22.2	29.4	20.0	38.1	19.7	16.0	287.3	120.7	88.9		
	in	0.500	0.065	2.000	0.065	0.9	1.2	0.8	1.5	0.8	0.6	11.3	4.8	3.5		

TOL ±1mm Note: Dimension subject to change

Size	1/4	3/8	1/2	3/4	1	1 1/2	2	2 1/2	3	4
DN	8	10	15	20	25	40	50	65	80	100

Order Example	-601	015	U	80	41	3A	0			040	94	1537				
Type of valve	-601															
Size DN		015														
Body configuration			U													
Connection (valve body)				80												
Body material					41											
Diaphragm material						3A										
Control function							0									
Actuator size																
Locking device																
Pipe main size										040						
Pipe main connection											94					
Surface finish												1537				
Special version (XXXX)																



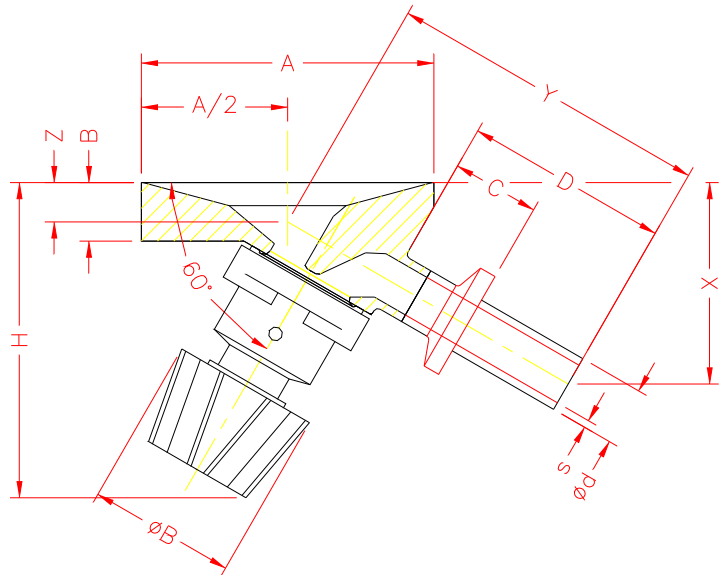
## GEMÜ® Tank Bottom / Side Sampling Diaphragm Valve

### Standard Features

- Sterile design
- Mechanical parts isolated from processes
- Designed to minimize fluid flow resistance
- Maximum drainage, leaving virtually no residue
- Pocket-free interior surface with no entrapment areas
- Body machined from 316L stainless steel bar stock ASME SA-479 (UNS S31 603)
- Complies with ASME Boiler & Pressure Vessel code requirements, section VIII Division #1

### Typical Applications

- Media fill and transfer vessels
- CIP (clean-in-place) tanks
- Bioreactor & Fermentation vessels
- Water for Injection storage vessels (WFI)
- Sterile receivers
- Any process vessels used in pharmaceutical / bioprocessing applications



Connection Type	Size	DN		Ød	s	A	B	C	D	Y	X	Z	ØB	H
Code 59 BS OD Tubing	1/4	8	mm	6.35	1.20	63.50	12.70	15.88	41.28	65.32	44.86	12.21	32.00	68.40
			in	0.250	0.047	2.500	0.500	0.625	1.625	2.571	1.766	0.481	1.260	2.693
Code 59 BS OD Tubing	3/8	10	mm	9.53	1.20	63.50	12.70	15.88	41.28	66.23	43.48	10.37	32.00	68.40
			in	0.375	0.047	2.500	0.500	0.625	1.625	2.608	1.712	0.408	1.260	2.693
Code 59 BS OD Tubing	1/2	15	mm	12.70	1.65	63.50	12.70	15.88	41.28	67.15	42.11	8.54	32.00	68.40
			in	0.500	0.065	2.500	0.500	0.625	1.625	2.644	1.658	0.336	1.260	2.693

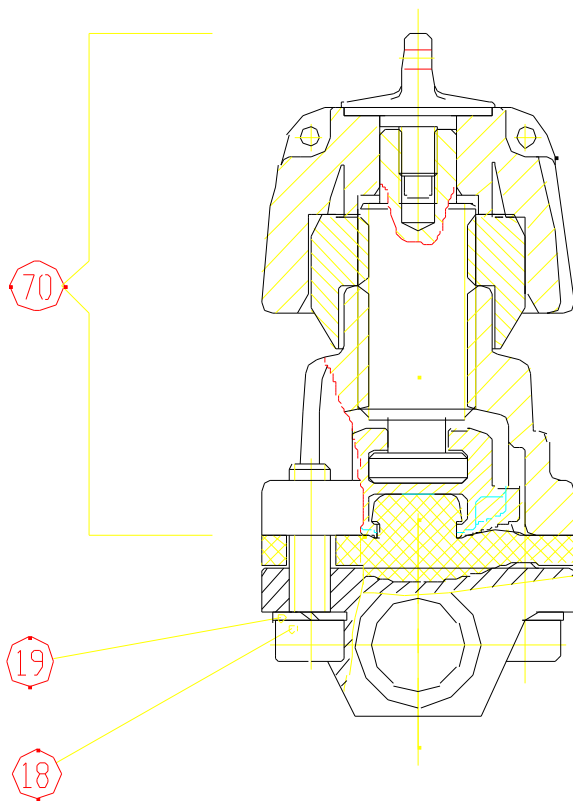
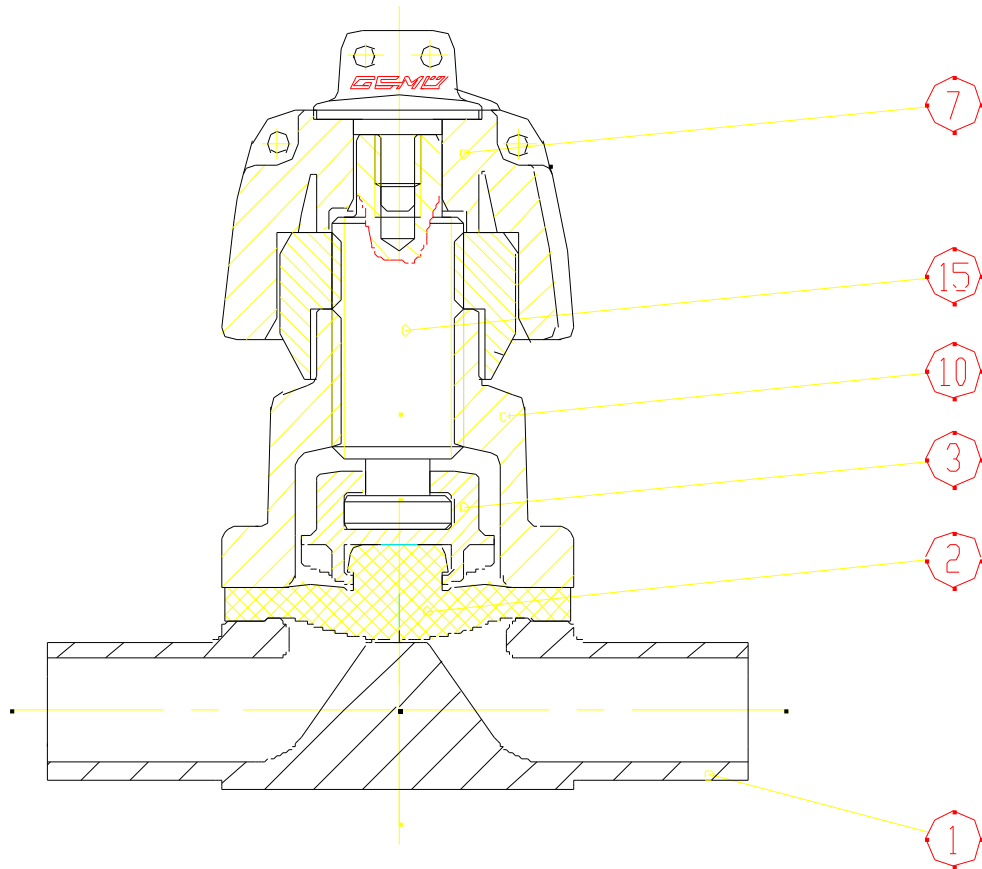
TOL ±1mm Note: Dimension subject to change

Size	1/4	3/8	1/2	3/4	1	1 1/2	2	2 1/2	3	4
DN	8	10	15	20	25	40	50	65	80	100

Order Example	-601	015	B	80	41	3A	0							1537
Type of valve	-601													
Size DN		015												
Body configuration			B											
Connection (valve body)				80										
Body material					41									
Diaphragm material						3A								
Control function							0							
Actuator size														
Locking device														
Pipe main size														
Pipe main connection														
Surface finish														1537
Special version (XXXX)														



# Type 601/602 Spare Parts



ITEM	PART
1	Valve Body
2	Diaphragm
3	Compressor
6	Pin
7	Hand Wheel
10	Valve Top
15	Spindle
18	Screw
19	Lock Washer
20	Nut
21	Screw